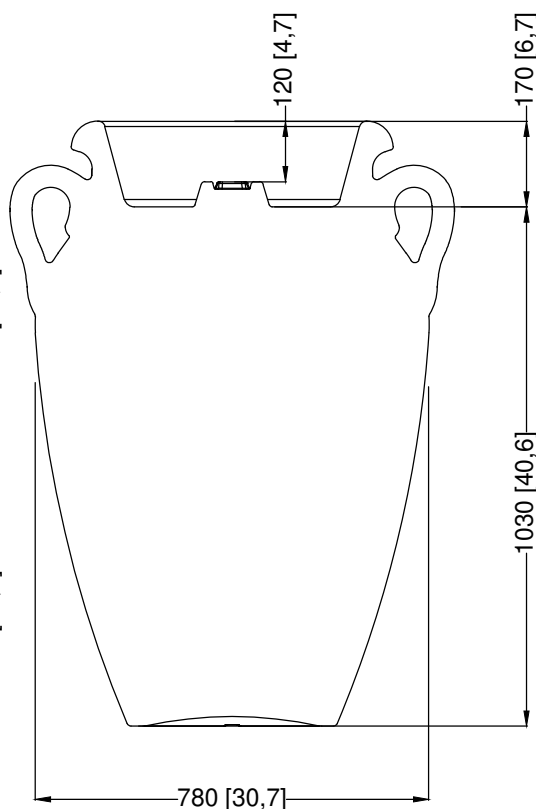
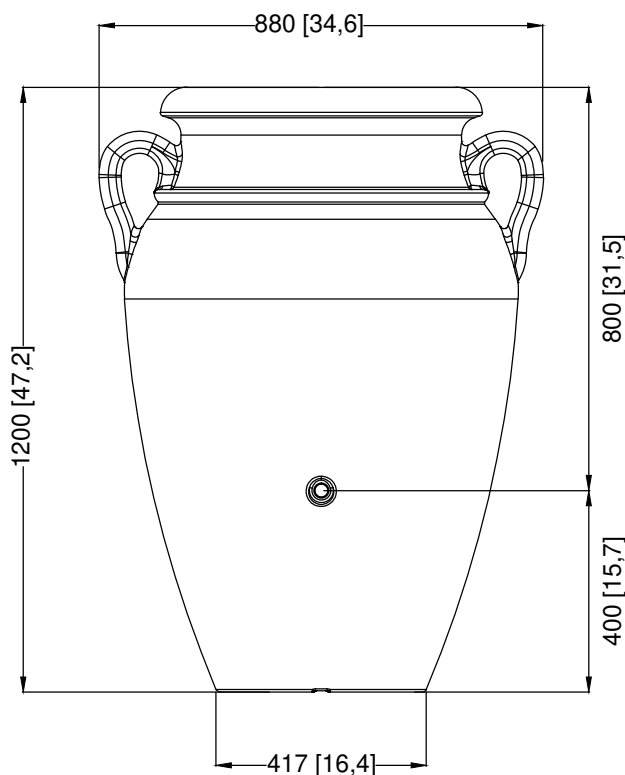
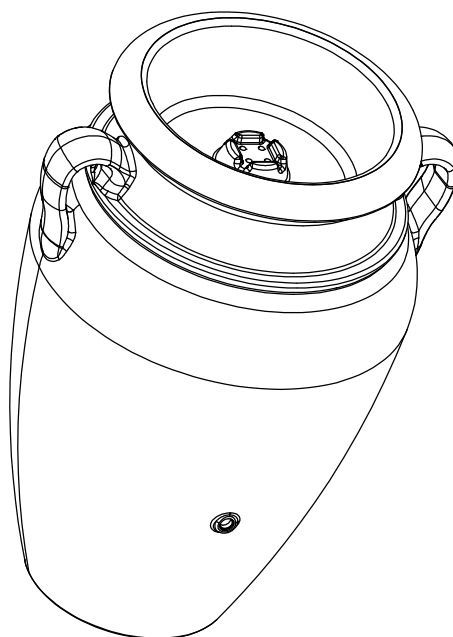
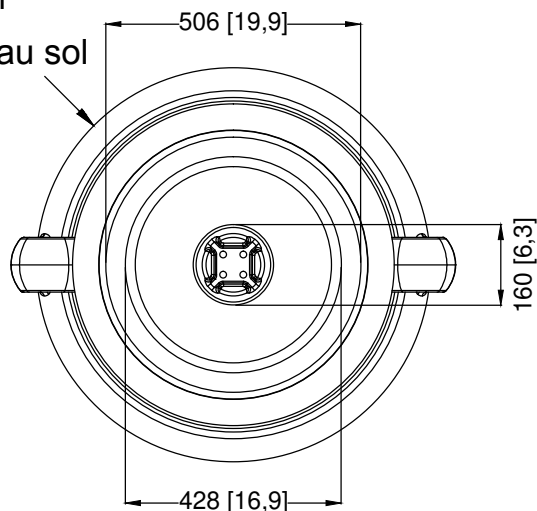


Bodenauslauf
 Ground drain
 Écoulement au sol
 Sumidero



| | | | |
|--|---|---|--|
| D Antik Amphore 360 Liter / 95,1 Gallonen Farbe: terrakotta / sandstone / darkgranite | | | Artikel-Nr. product no. article no. artículo no. 211602 / 211606 211610 |
| GB Antique amphora 360 Liter / 95,1 gal. terrakotta / sandstone / dark granite | ES Ánfora antigua 360 Liter / 95,1 gal. terracota / arenisca / dark granite | FR Amphores antik 360 Liter / 95,1 gal. terracotta / sable / dark granite | revision |
| gezeichnet drawn ISC | Gewicht weight 20 kg | <div style="text-align: center;">  GARANTIA </div> | |
| Datum date 2015.11.09 | Toleranz tolerance +/- 3% | | |
| Maßstab scale M 1:15 | alle Maßangaben in mm [inch] all dimension in mm [inch] | | |
| | | www.garantia.eu info@garantia.eu | |